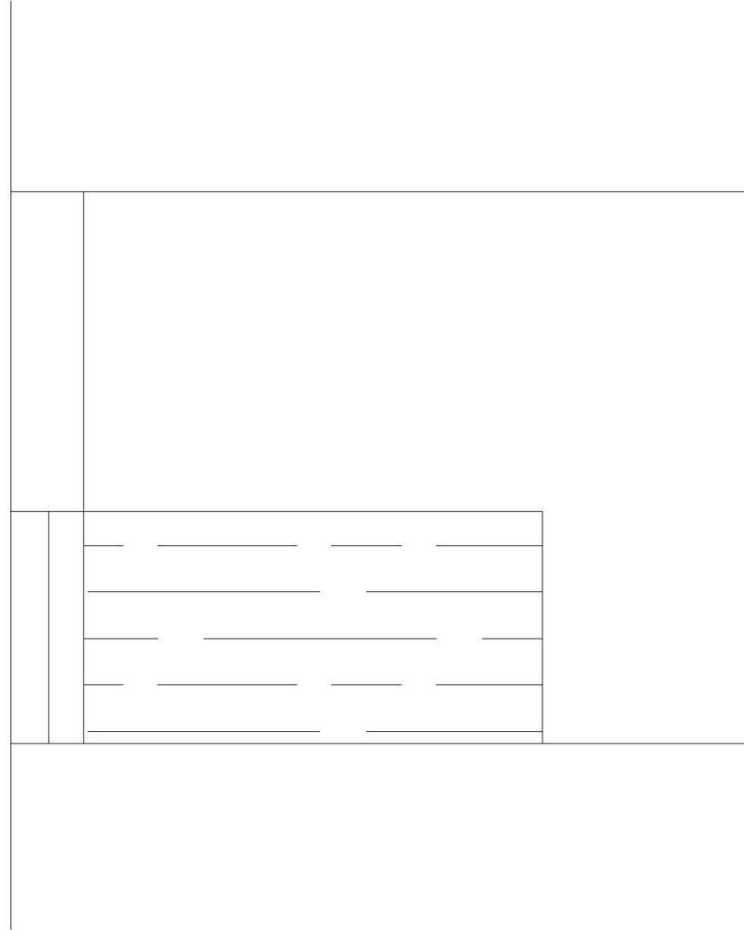


WC and bath attached with
RCC Roof

Quantity for proposed low cost
sanitation toilet with bathroom
attached

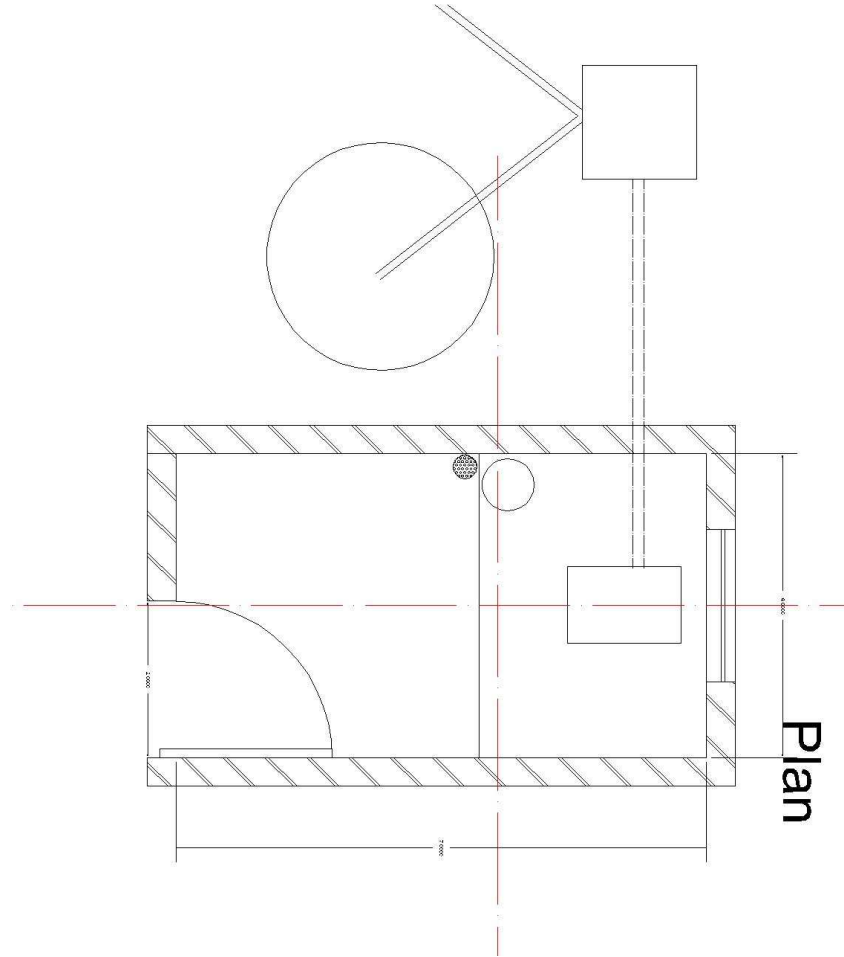
Model-1 RCC Roof type

Elevation

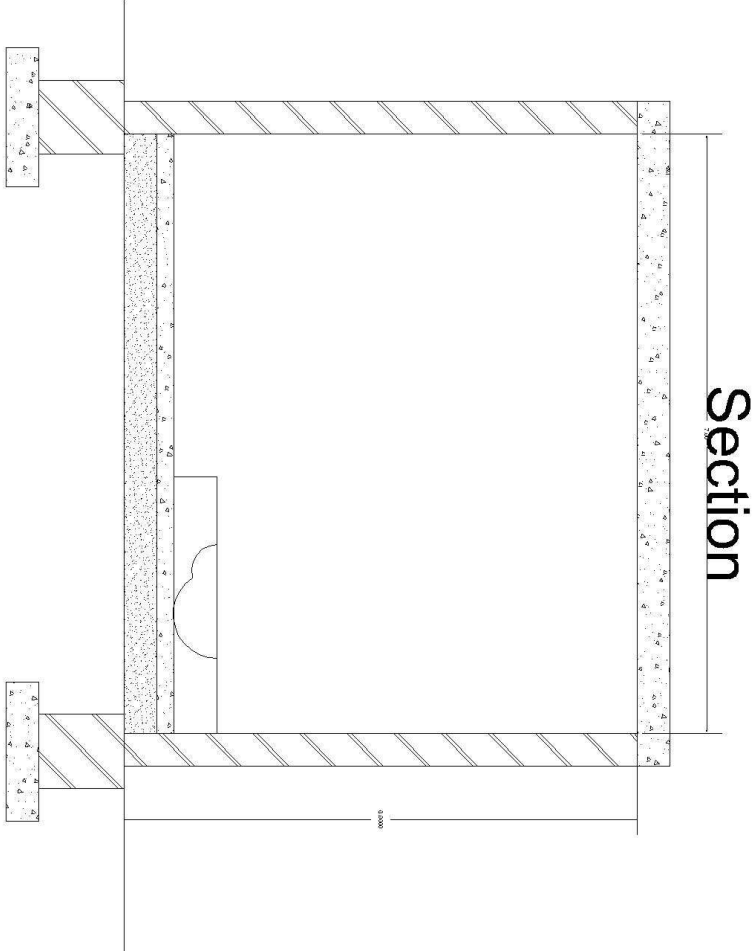


Elevation

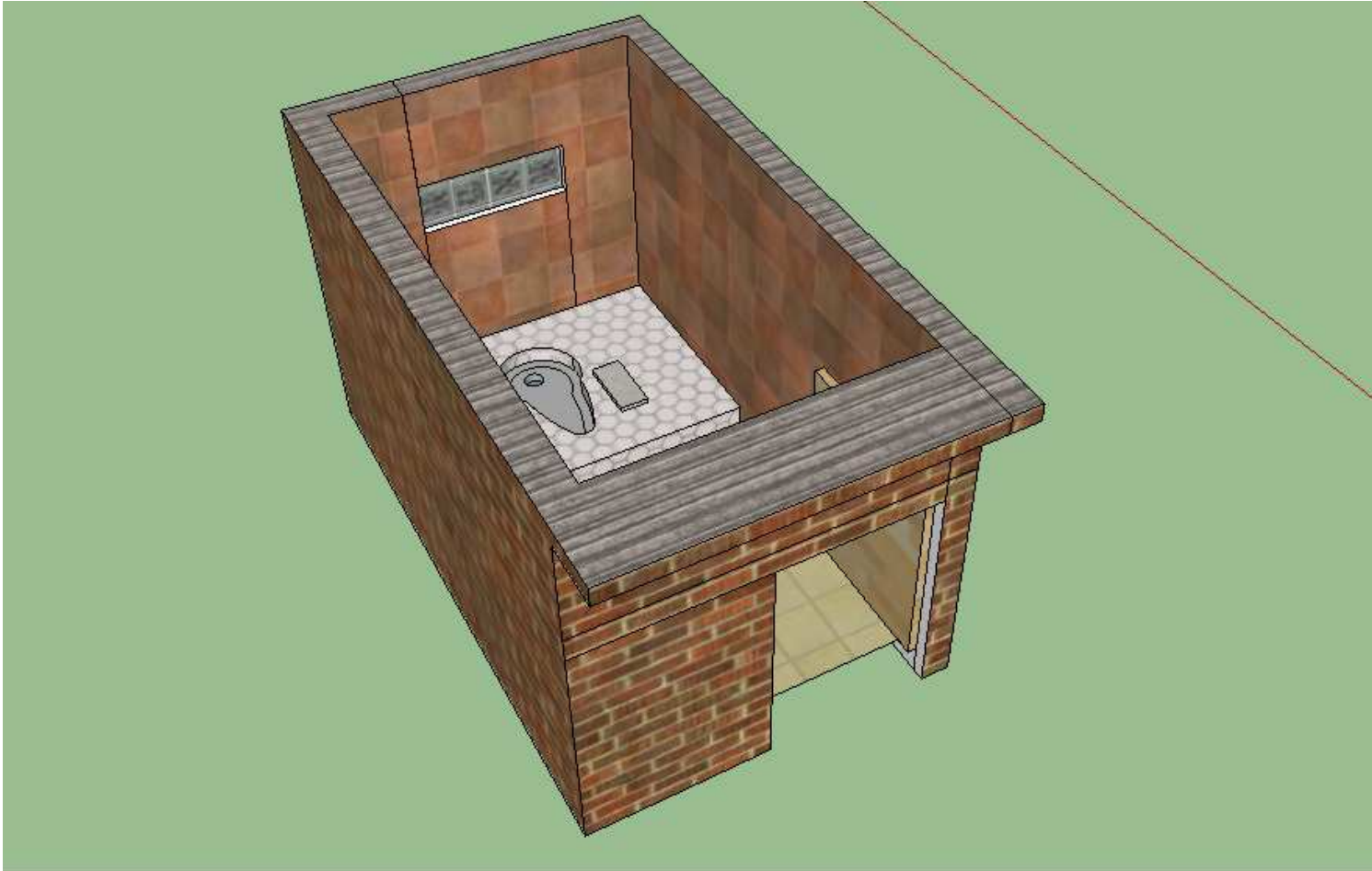
Plan



Section



3D view



Sl. No	Description of work	Nos- L X B X H (feet)	Total Qty
1	Earth work excavation for all kinds of soil except hard rock	(1X1) 25'.0"X1'.6"X1'6"	56.25
2	River sand filling in foundation using good quality river sand	(1X1) 25'.0"X1'.6"x4 1/2"	14.06
3	PCC 1:4:8 using 40mm HBG metal in foundation	(1X1) 25'.0"x1'.6"x4 1/2"	14.06
4	Brick work in foundation and basement in cm 1:5 foundation	(1X1) 25".0"X0'.9"x1'0" = 18.75 (1X1) 25".0"X0'.9"x1'0" = 18.75	37.5
5	Brick work for super structure in cm 1:6 mix using good quality country bricks	25'.0"x4 1/2x6'.0"	56.25
	Deduction for door opening	2'.6" x 6'.0"	- 15.00
	Venilator (V)	2' x 2	- 4.00
			37.25
6	RCC roof slab precast :1:2:4 mix using 20mm HBG metal	(1X1) 4'.9" x 7'.9" x 0.125	4.60

S. NO	Description of work	Nos : L X B X D/H (Feet)	Total Qty
7	flooring in cm 1:3 mix upto 12mm thick	(1x1) 4' x 7'.0"	28.00
8	Inner wall plastering in cm 1:5 up to 12 mm thick using good quality river sand	25'.0" x 6'.0"	150.00
	Dedt for doors and ventilation		- 32.00
	Total		118.00
9	Fixing doors and ventilators	(1 x 1) 2'.6" x 7'.0" (1 x 1) 2 x 2'	28.00 4.00
			32.00
	Provision or plumbing terms and leech pit (L.S) ceramic rural pan	LS	

Abstract for proposed low cost toilet sanction toilet WC & Bath room attached

S. No	Description of work	Qty	Rate/ Unit	Amount Rs.
1	Earth work excavation for all kinds of soil expt hand rock	56.25	8	450
2	River sand filling in foundation and basement labour ect	14.00	15	210
3	PCC 1:4:8 mix in foundation using 20mm HBG. Material labour mixing ect	14.00	70	980
4	Brick work in foundation and basement in cm 1:5 using good quality coountry bricks labour ect	37.50	100	3755

5	Brick work for super structure in cft 1:4 mix using good quality country bricks .	37.25	100	3725
6	RCC roof slab pre cast 1:2:4 mix using 20 mm HBG curing labour and steel	4.60 CFT	200	920
7	Flooring in cm 1:3 mix using good quality river sand curing screening labour etc	28sft	20	560
8	Inner wall plastering in cm 1:5 up to 12 mm TK using good quality river sand curing screening labour etc.,	118sft	10	1180
9	Fixing doors and ventilators	32 sft	25	800
10	Provision for plumbing items and leach pit slab to ceramic pan			1020
	Total			13,600

Material requirements

- River sand = 100 cft
- Country bricks = 1000 nos
- Cement bags = 10 bags
- 40 mm jelly = 10 CFT

Steel

_8mm dia = 25kg

Cermic deep slope rural pan = 1 No (white colour)

- Cement rings 3'x 1' = 5NOs
- Toilet door 2'6" x 6' 0" = 1 NO
- PVC pipe 4.5" = 10 RFT
- Red Oxide = 200 g

Labour details

Mas = 2

MC = 2

FC = 1

Advantages

- Bathroom attached toilet
- Motivates usage of toilet towards sustainability
- Provision of junction box ensures construction of second pit & promotes continues usage.
- Life span of the building is 50 years
- Soak pit provided for grey water treatment
- Very comfortable dual usage as bathroom and toilet

- Saves money & space
- Provision of incinerator for disposal of used napkins
- Construction of water is optional

Disadvantages

Cost wise on higher side Rs. 13,600

One person utility at a time

Thanks for every one