



Toilet Options in WaterAid

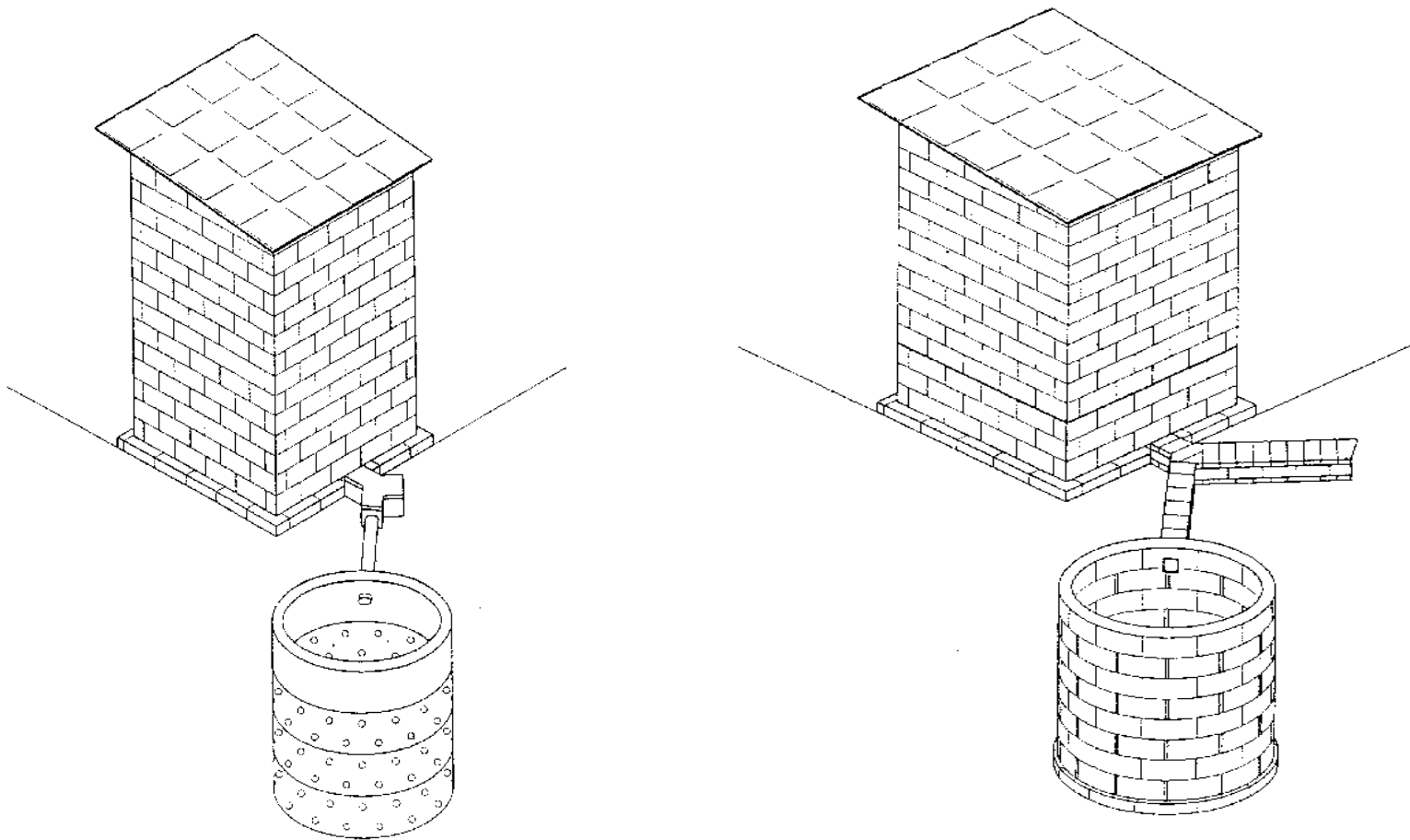
A Presentation by Purna Chandra Mohanty, Technical Officer,
WaterAid India



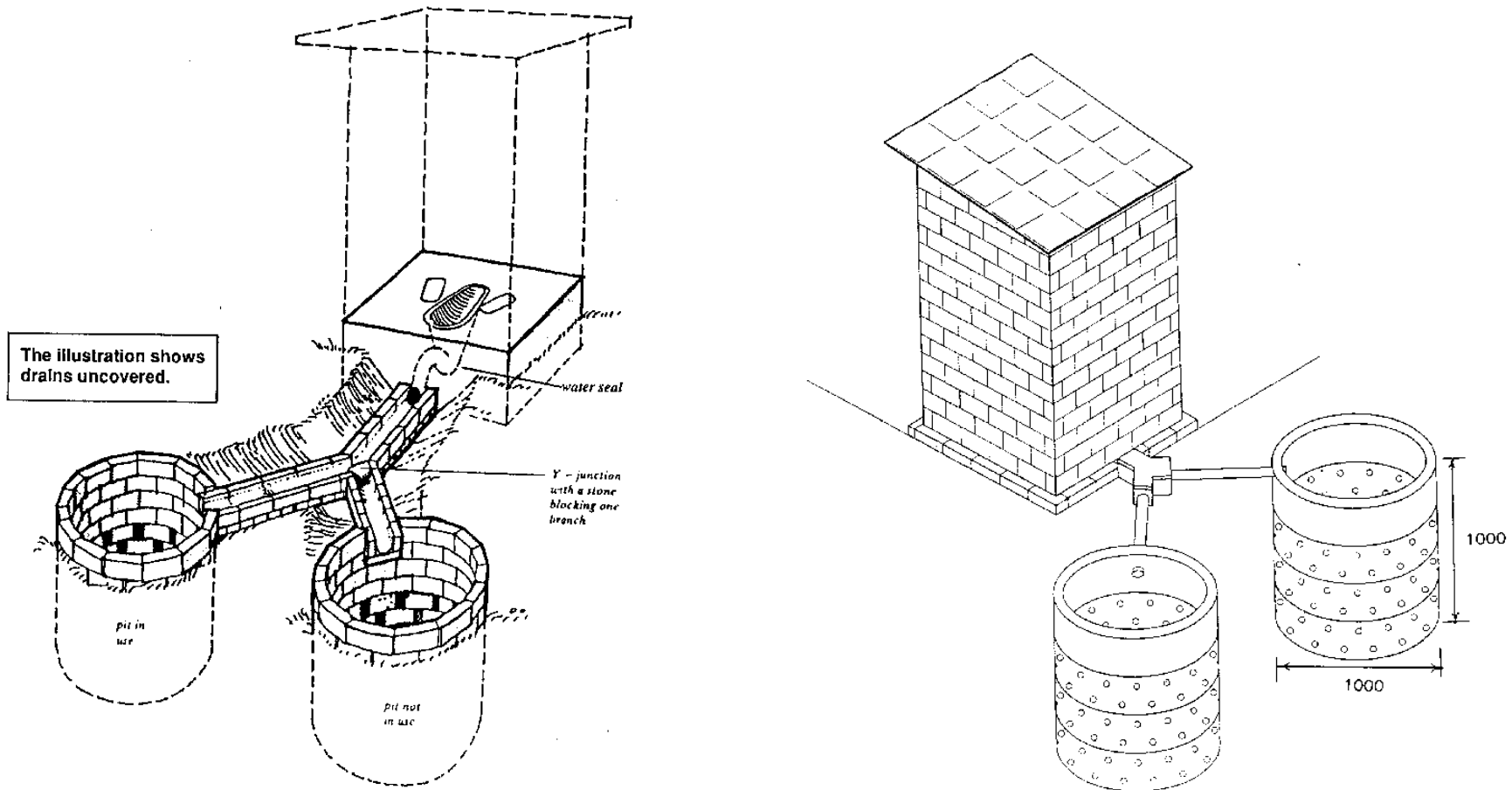
WaterAid Strategy

- Poor should have access to hygienic Sanitation
- Excluded & Marginalized should have adequate and effective WASH Service as their right (scheduled castes and tribes, minorities, PLWHA, women, the poor, people in disaster prone areas and the disabled)
- Design & Standard as per special need
- Promoting affordable, appropriate, equitable and sustainable WASH models

POUR FLUSH LATRINE WITH SINGLE OFFSET PIT



POUR FLUSH LATRINE WITH OFFSET DOUBLE PIT



Brick lining



1. Openings should be in alternate layers, not in every layer !!
2. Top 300 to 500 mm should be solid brick work !!

Ring lining - a convenient way



Design Concept & Technology

Option

- Basic Requirement
 - ▣ Excreta should not contaminate drinking water source
 - ▣ Excreta should not be accessible to animals, flies, insects
 - ▣ Free from odour or unsightly conditions (no water stagnation)
 - ▣ Method should be simple and cheap in construction and operation
 - ▣ Ensure privacy, user-friendly to women, children and aged

Design Concept & Technology

Option

- Factors influence toilet options
 - Affordability
 - No of users & intended duration
 - Site Condition – space, distance & accessibility
 - People's habit & Socio-cultural practice
 - Availability of water supply facility
 - Type of soil & Soil absorbing capacity
 - Depth of ground water table
 - Availability of local materials and local skills

Design Concept & Technology

Option

- While construction
 - Soak pit at least 10mt from drinking water source like open wells and shallow tube wells
 - Toilet close to house for easy access
 - Site condition – safe excavation of pit as well removal of digested excreta
 - Well ventilated for cleanness and dryness
 - Bath, kitchen, rain water should not be allowed to soak pit(to absorb 60 to 70 lt perday)
 - Distance between two pits – minimum 1 mt



Communities OwnED Options

- Family status ---
- Male -2 Female -3 Children -1, Total = 6
- Motivating Factor –



bathroom)

- Structure –
- The Plinth ht is above 2' = 0"
- Reason – it is flood prone, water logged area.



- **Family status ---
Male -3
Female -2
Children**



AUGUST 2000

- Family size –
- 4 to 7 members
- Motivation :
- Motivated to have toilets, but
- not able to afford for superstructure,
- Alternate solution –
- Saco-Cement walls
- Structure:
- Base with Stone/ Brick masonry
- Side Walls with Bamboo/ Wood post and Saco-Cement
- Roof with local materials





- Family status ---
- Male -4 Female -3 Children -1, Total = 8
- Motivating Factor –
- Lady is SHG member, utilized the opportunity and





- Family size ---
- 7 members
- Motivating Factor –
- Constructed as opportunity available and also motivated others
- Structure:
- Modified the defunct Biogas plant to septic tank and sock pit.
- Roof is RCC, tile floor
- Walls plastered (in and outside)

- Toilets in row
- Families living in cluster of houses having 5 to 7 members each
- Motivated still they do not have land available close to houses, but common land at backyard
- Structure:
- Toilet base and superstructure in a row/ cluster with individual ownership
- Separate sock pits for each toilet



- Family Size – 5to 7 members
- Utilized opportunity for better option



- Toilets of Two Families:
- Family:
- 2 families (4 to 5 members each) and both



• Concrete cock pits



- **Family status ---**
- Male -2 Female -3
Children -1, Total = 6
- **Motivating Factor**
—
- Awareness by Partner,
Incentive support and
- Social Prestige (women
members demanded for
bathroom)
- **Structure –**
- Both Bathroom and WC
but in backyard, large
cock pit chamber, RCC



- Toilets of Two Families:
- Family:
- 2 families (4 to 5 members each)
- Utilized the opportunity and decided to construct in a row in common land at backyard
- Structure:
- Toilet Base is at 3'-0" ht (as flood prone area)
- Steps and side walls plastered



Temporary thatching by local materials



During flood'11, thatched house washed away, but toilet survived ,











Options for Persons with Disability



Person with Locomotors & visual impairment,



Person with Disability



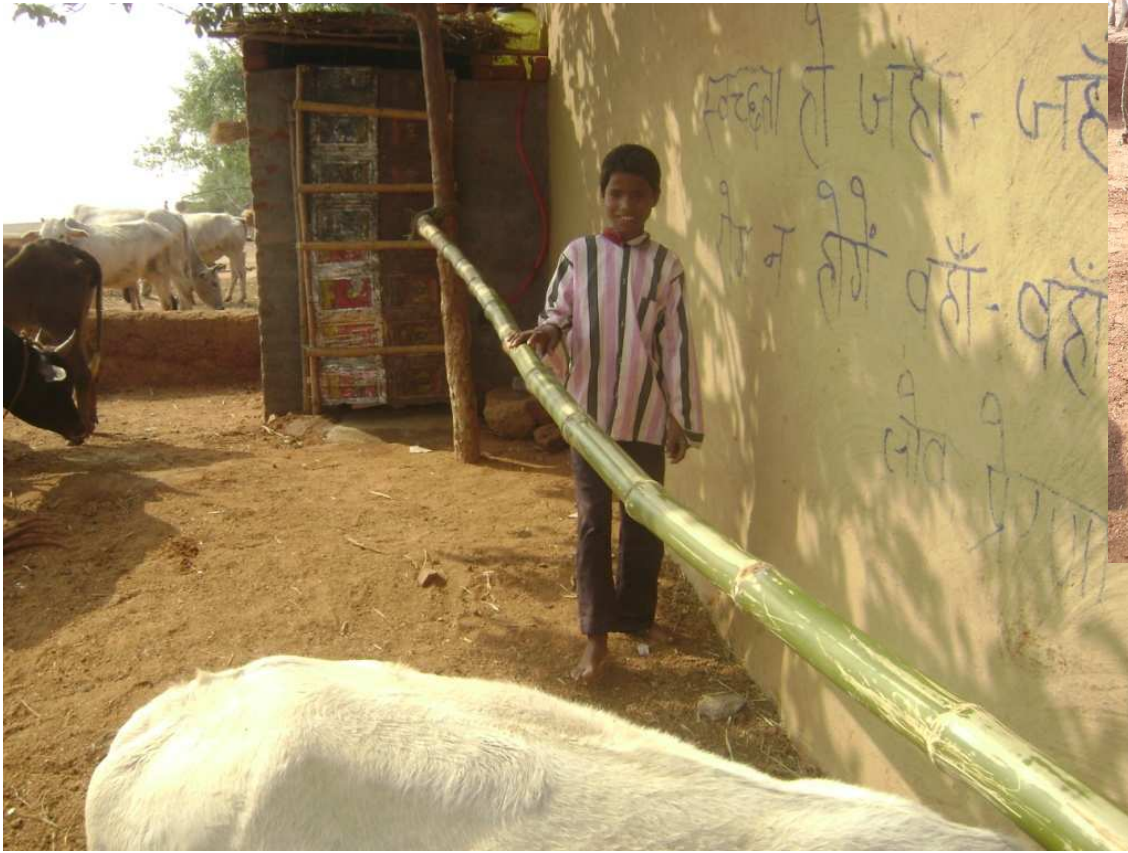




Materials	Unit	Amount
Pit digging	2	200-00
	600	1200-00
	4 Baf	1200-00
Squating Slab	1	200-00
& Chips		300-00
Sheet	1	500-00
r	1	1078-00
iding, Handle and Others	2 Pcs	300-00
bbing frame Sheet		800-00
an Syren	1	200-00
Ventilators	2	50-00
Masonry Charges	4	600-00
Transport Charges		250-00
White Washing & Wall Painting		270-00
5. Tap		135-00
16. Labor charges		600-00
Total		7883-00
Support to WAI-IPAP		6883-00
Beneficiary Contribution		1000-00
Total		7883-00











We are still learning

Thanks