

ECO-SAN PRESENTATION



About Eco-san UDD toilet

Eco-sanitation aims at providing hygienic disposal of human excreta, thereby reducing the incidence of diseases associated with human excreta, sewage and polluted water. In addition, it saves water resources, reduces pollution of the water cycle, recycles organic matter and plant nutrients for their re-use in forestry, farming and gardening, thus contributing to agricultural productivity and food security. The ecological benefits go along with economic benefits, both in the long and short term.

Definition

Ecological sanitation – “eco-san” – is a concept and package of technologies that aims at:

- Reducing the use of water in sanitation practices,
- Recycling human wastes into resources
- Re-using the resources in agri- and horticulture.

Advantages of Eco-san Toilet

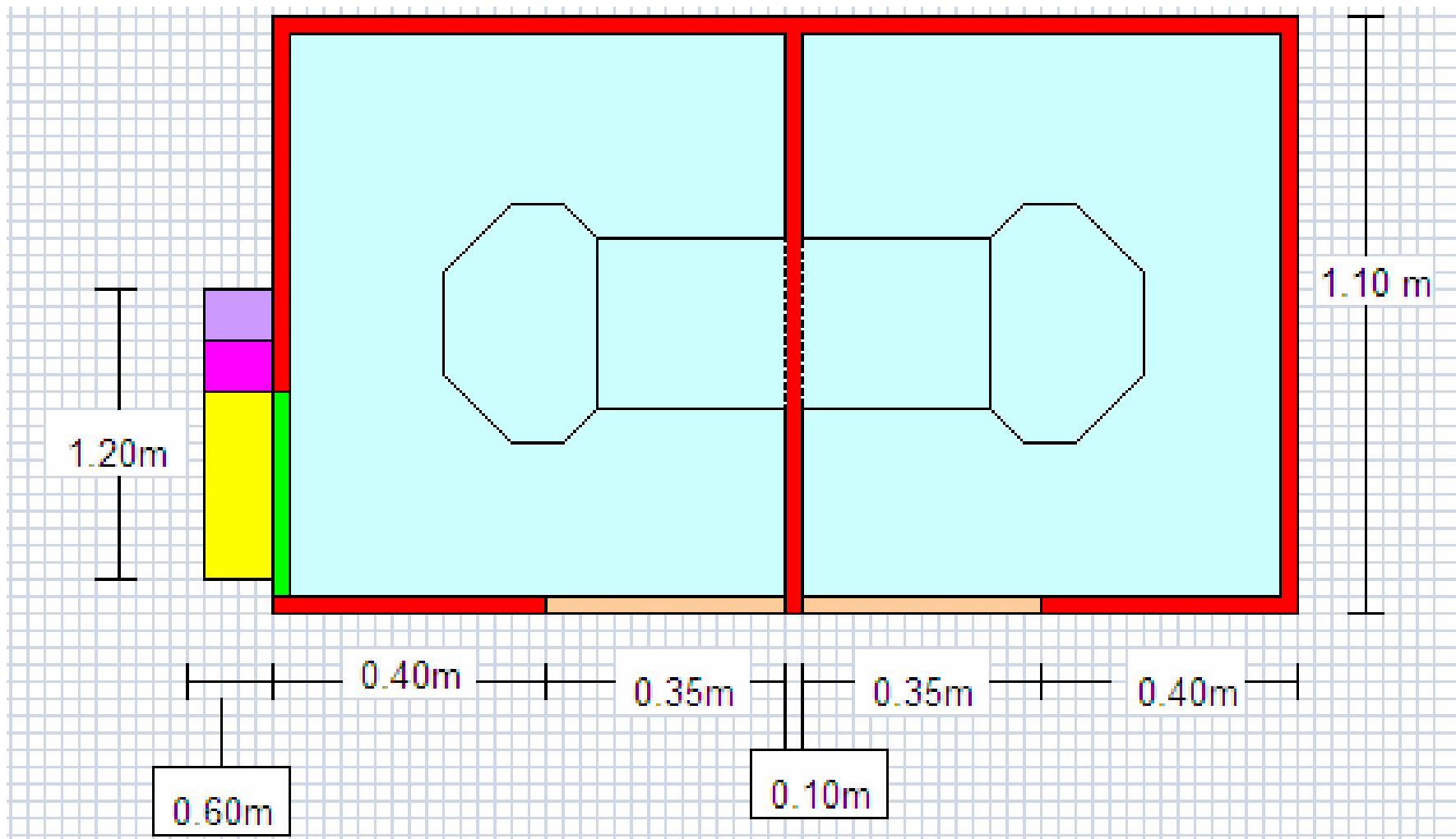
- Feaces can be used as manure
- Urine can be used as fertilizer
- Less water consumption
- Eco friendly
- No ground water pollution
- Less maintenance
- No sewage treatment needed
- Can make good kitchen garden
- Rocky/costal/River/Water logging/High water table/ Water scarcity area

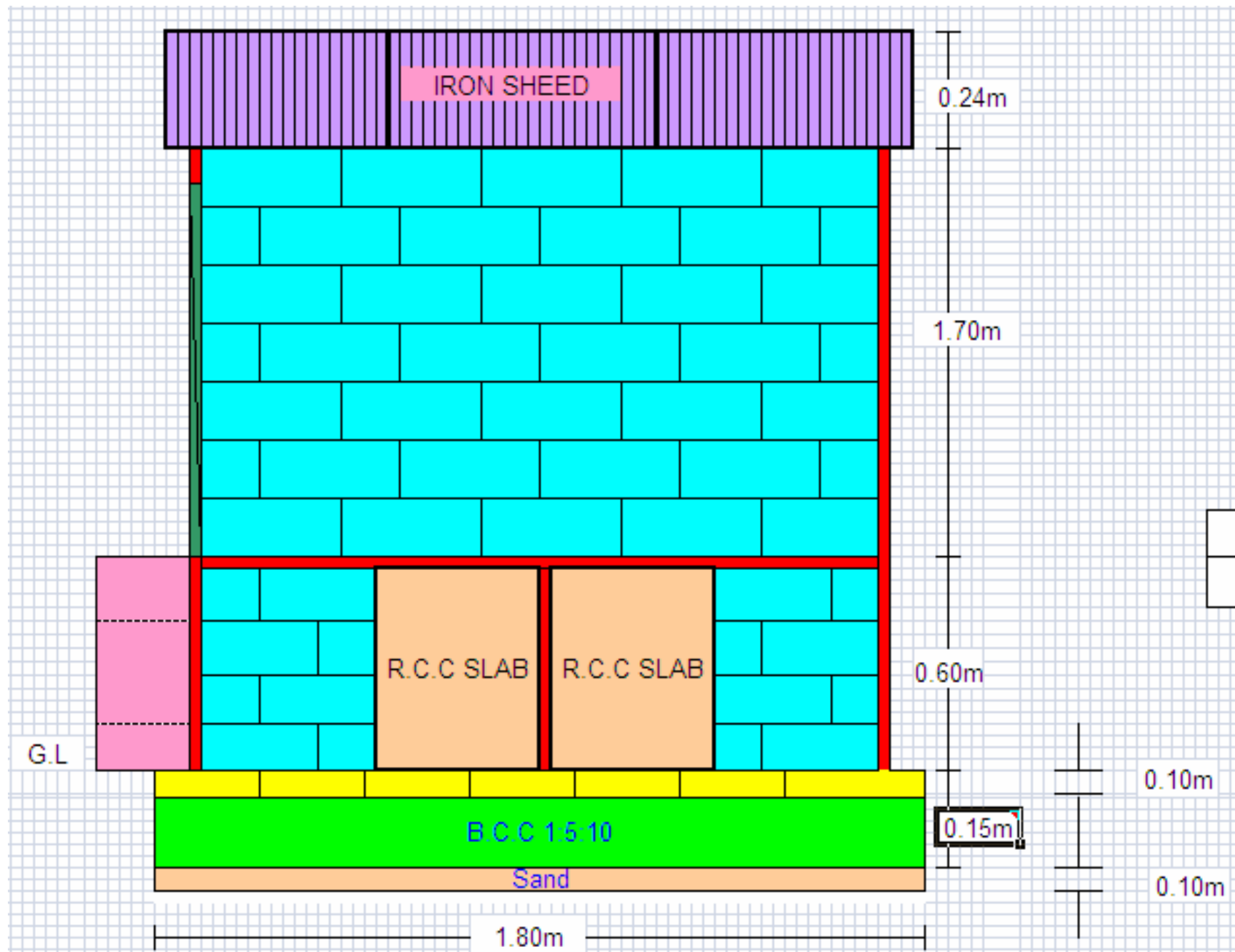
Disadvantages of Eco-san Toilet

- Needs more...motivation
- If no proper maintenance, it smells
- It requires more spaces
- Uncomfortable for strangers
- Little bit expensive
- Hesitation to touch the manure and urine

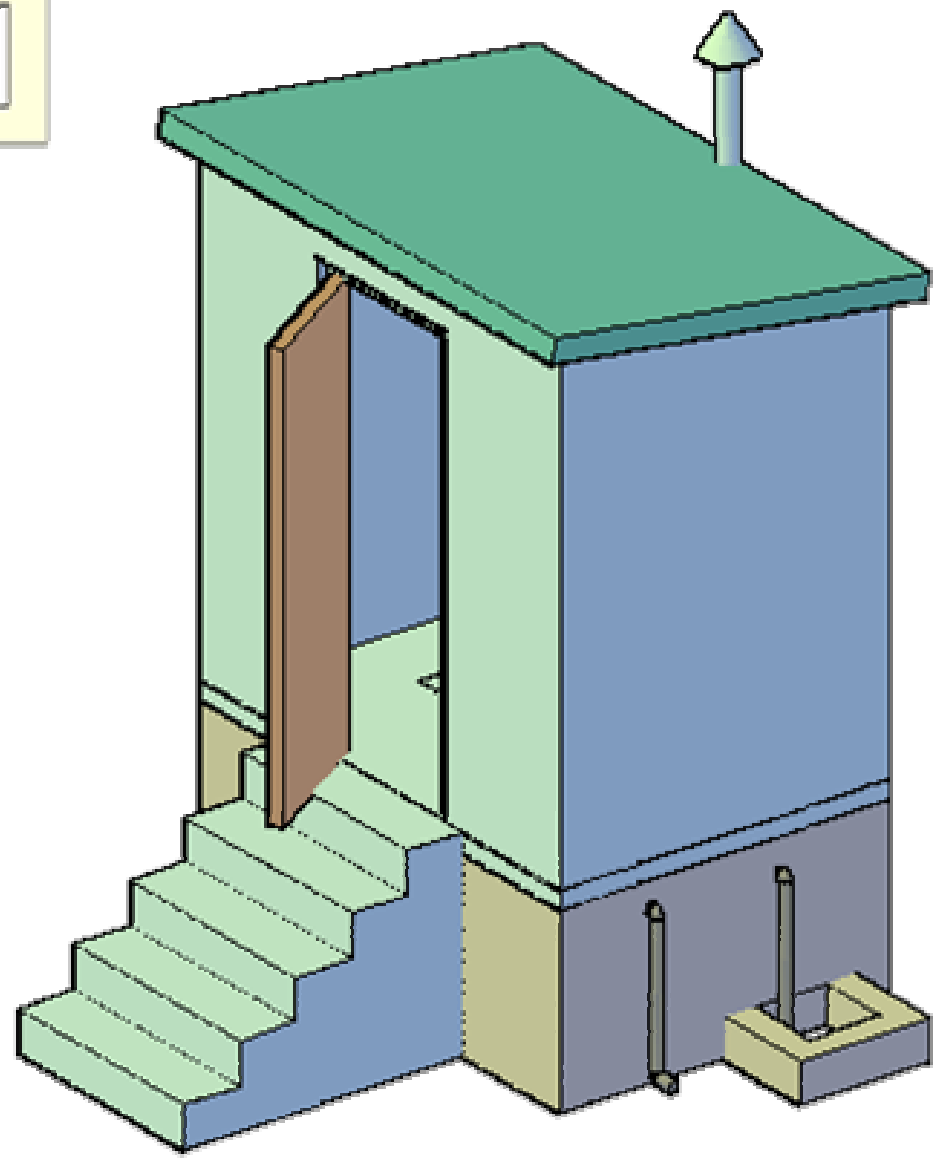
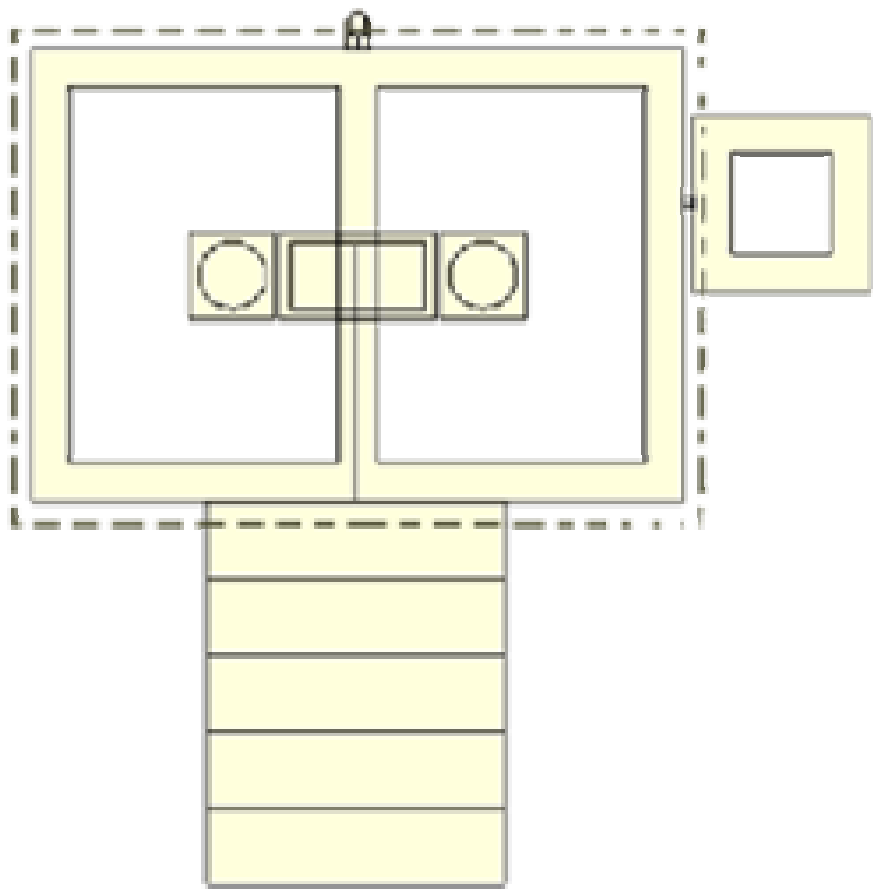
Proposed Models

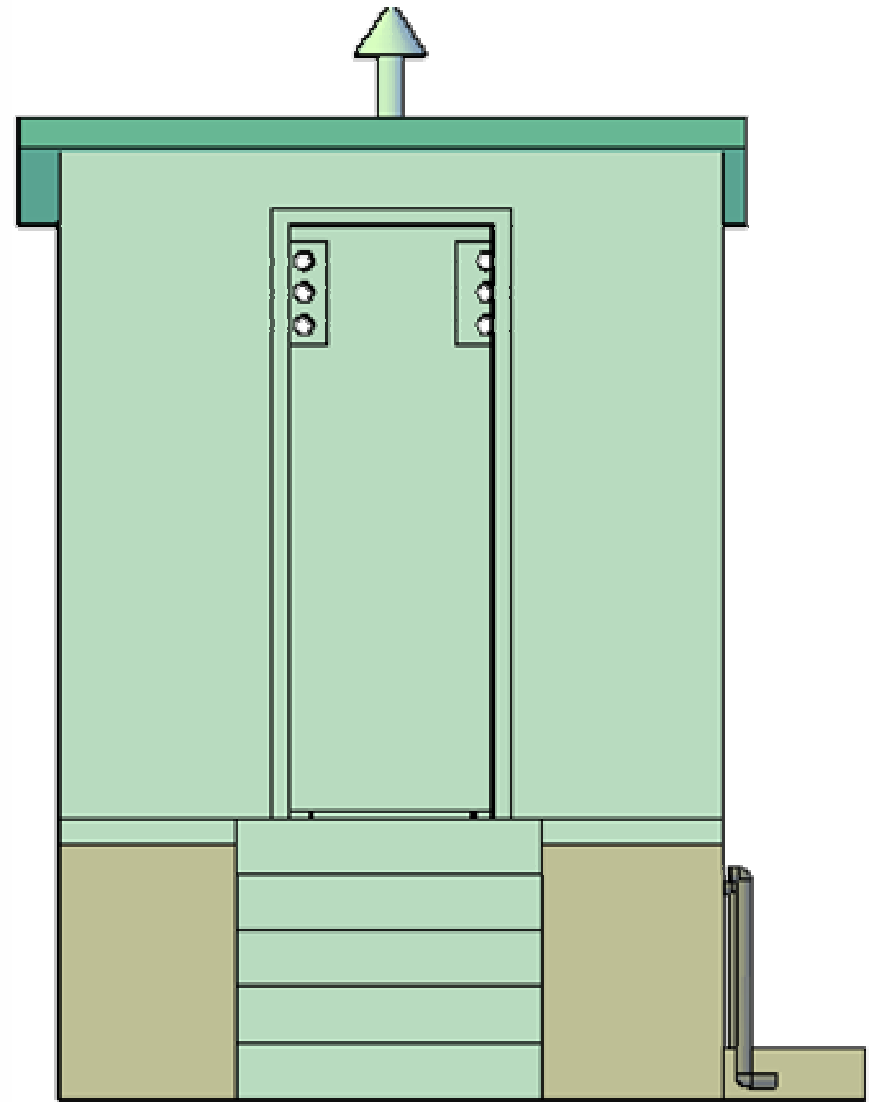
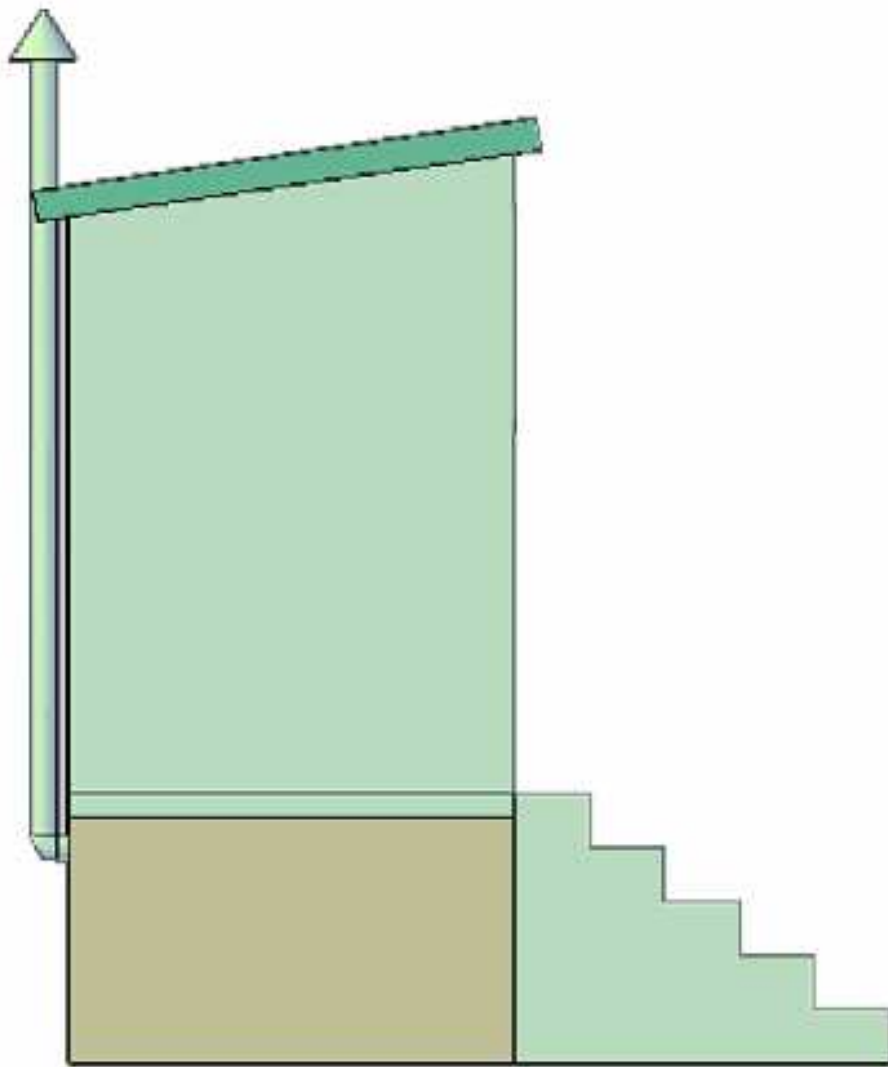
1. Double Chamber with hollow block
2. Single Chamber with barrel
3. Double Chamber with ramp for differently abled persons



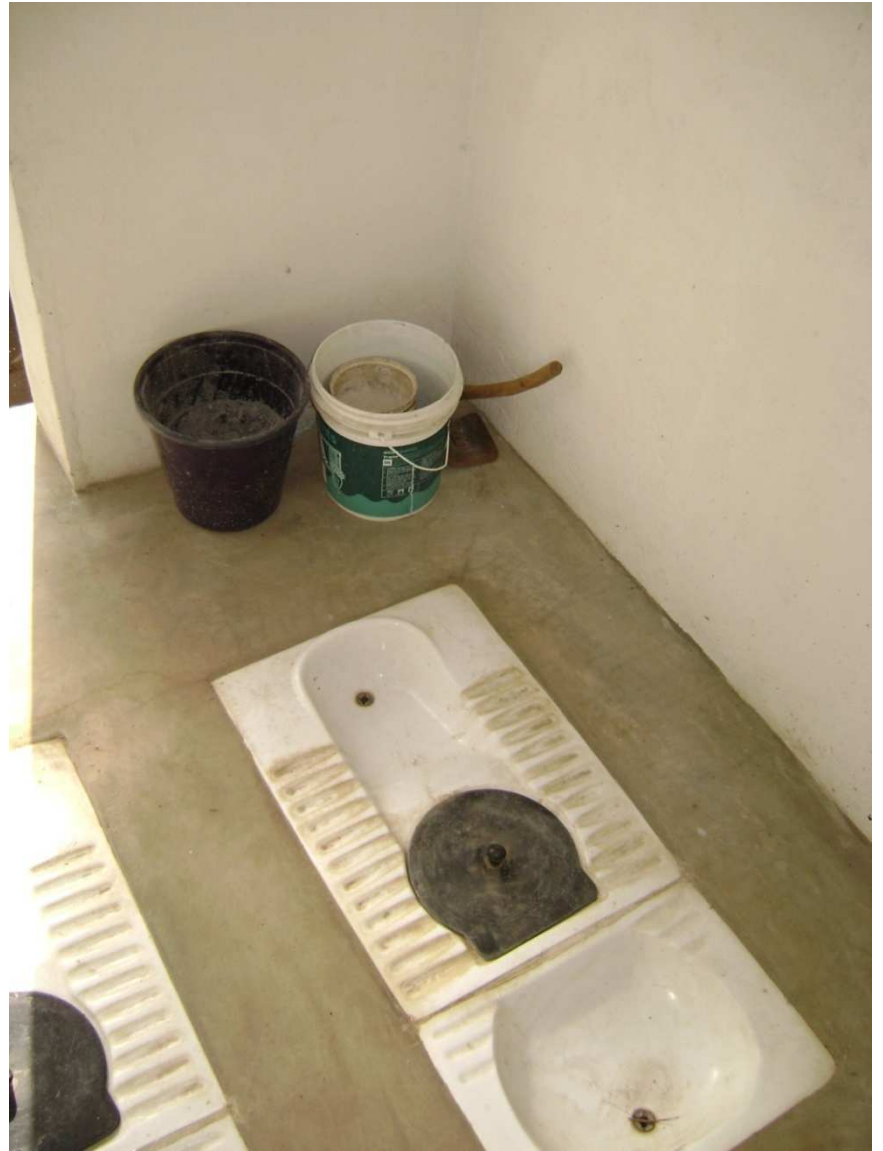
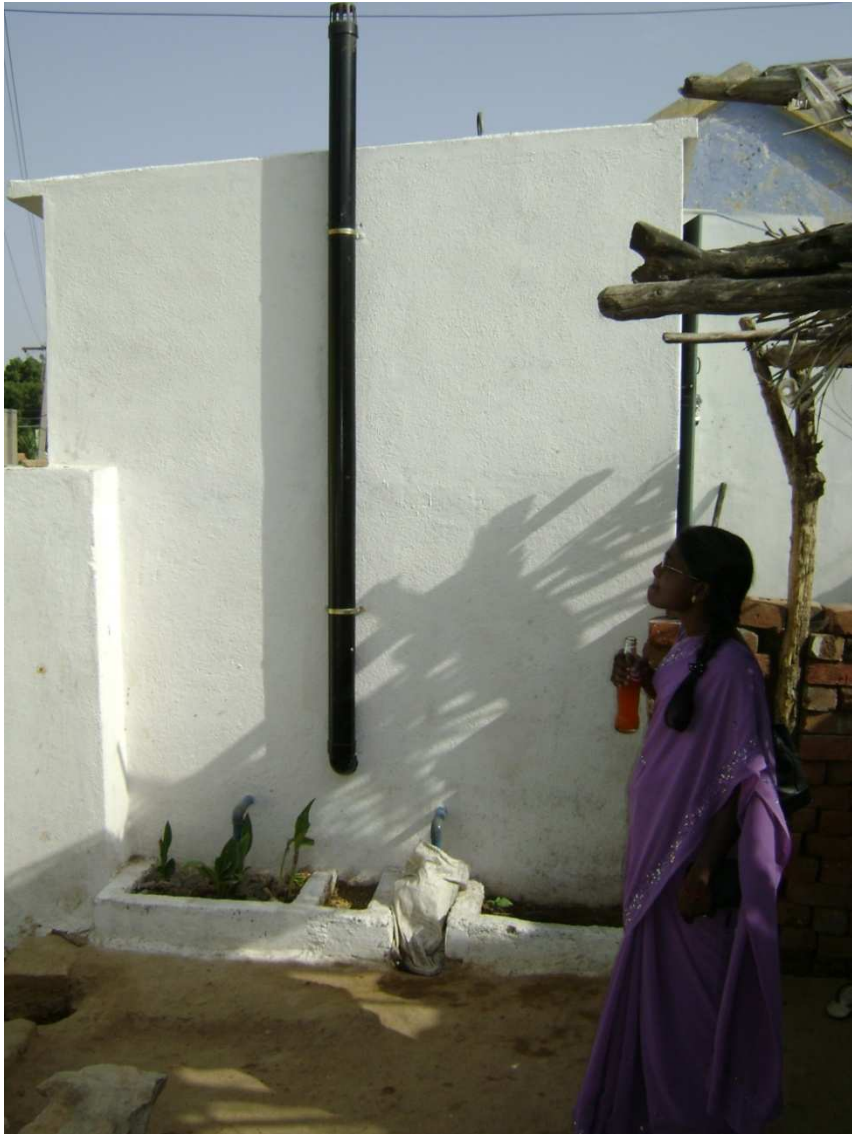


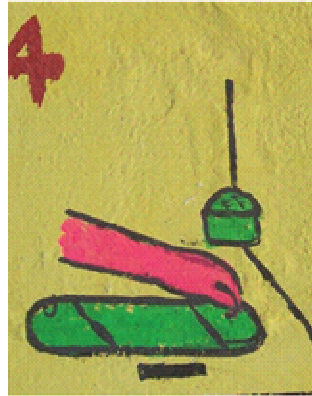




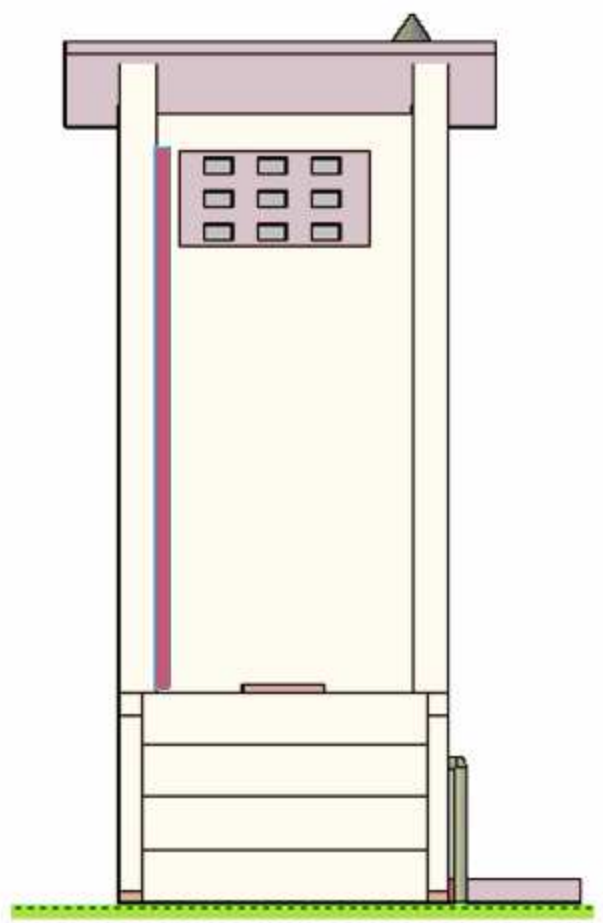
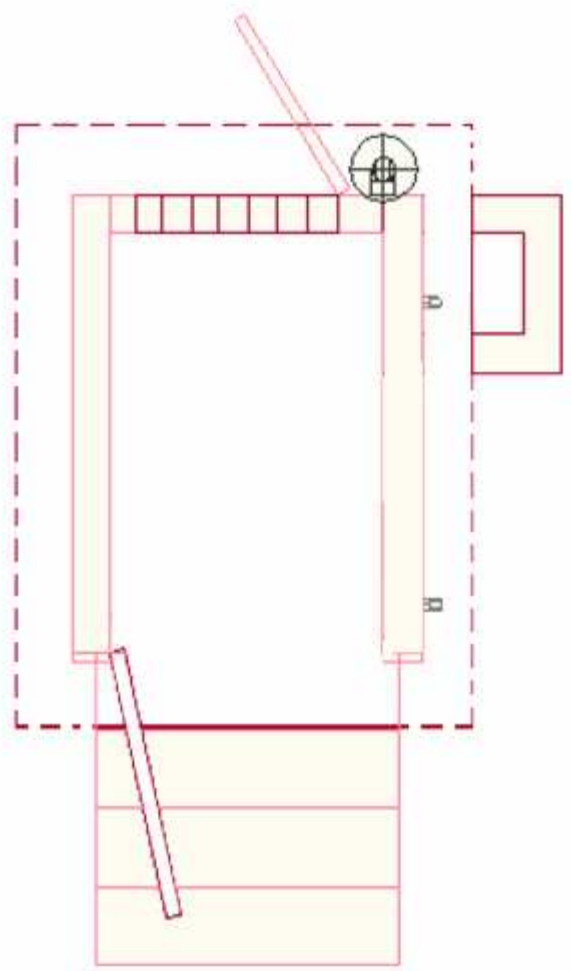




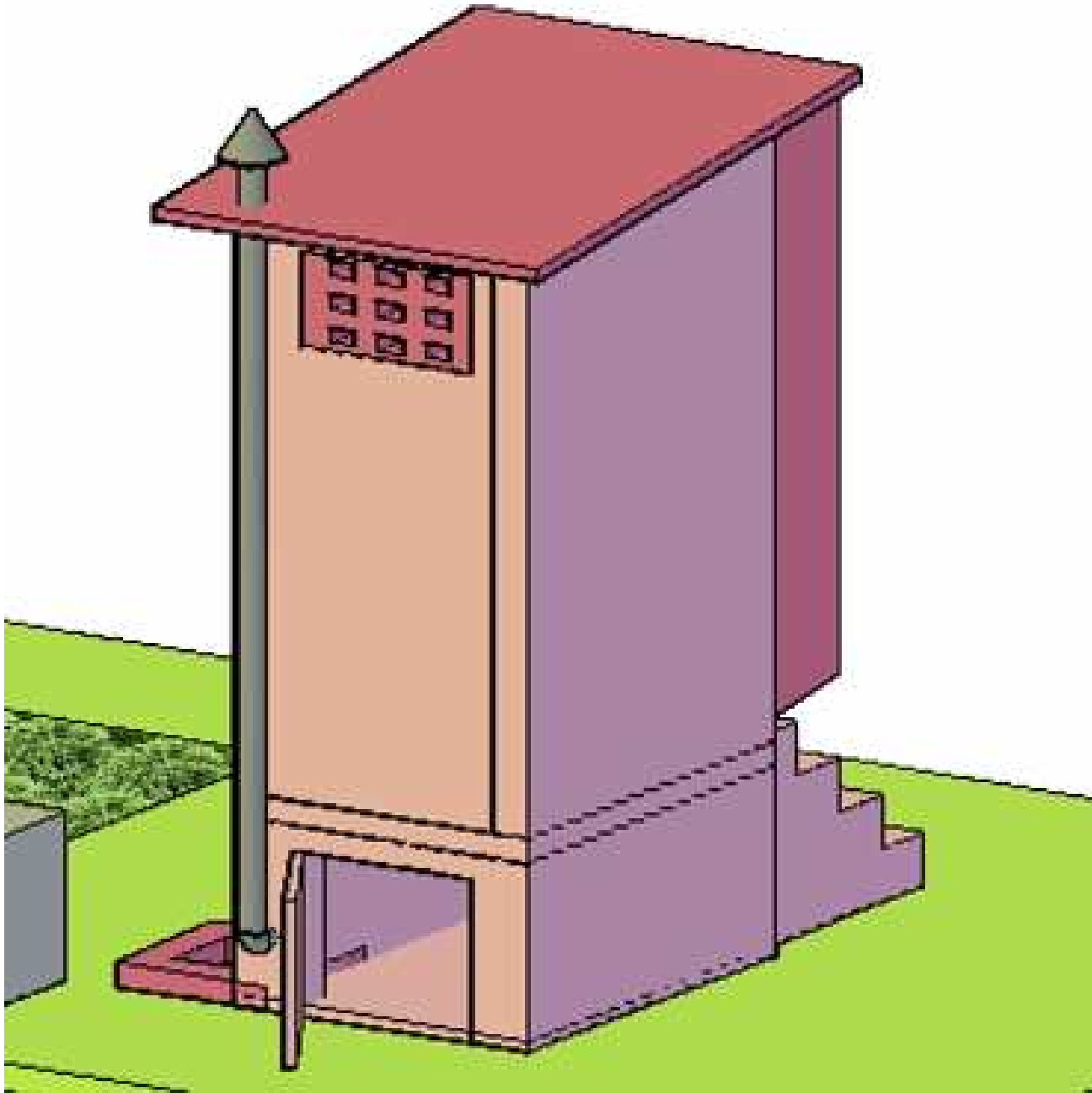












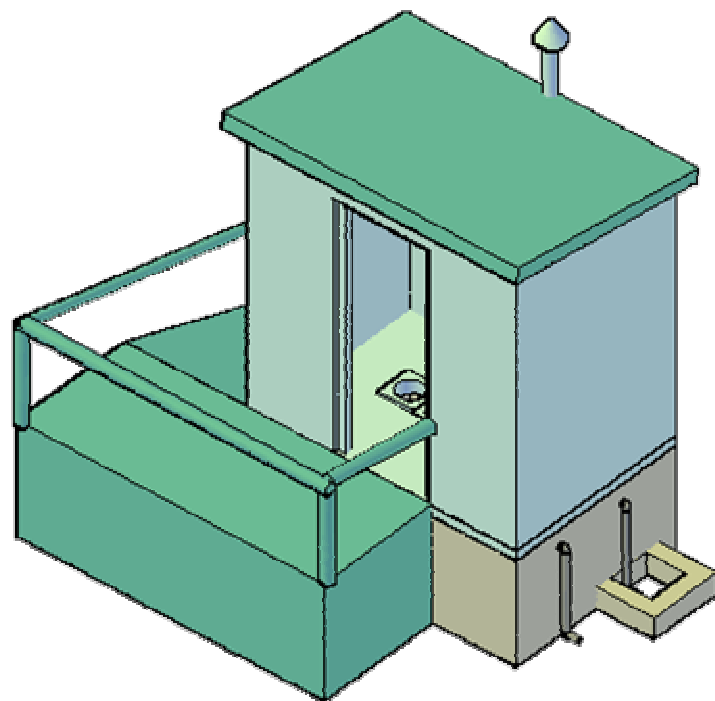
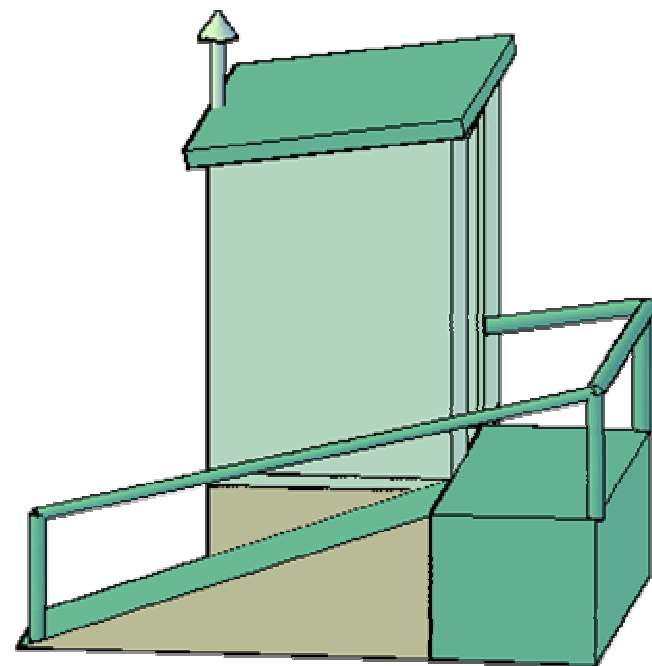
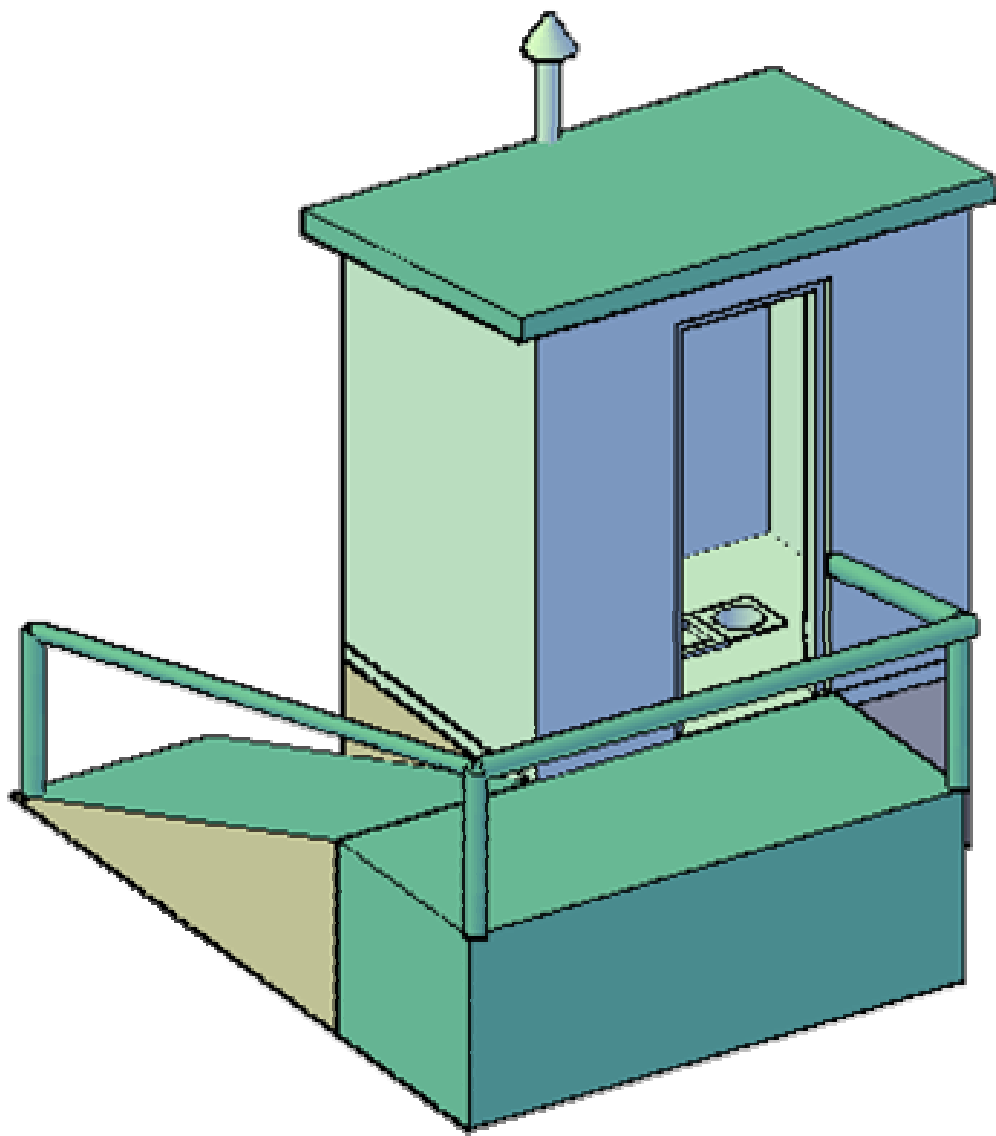






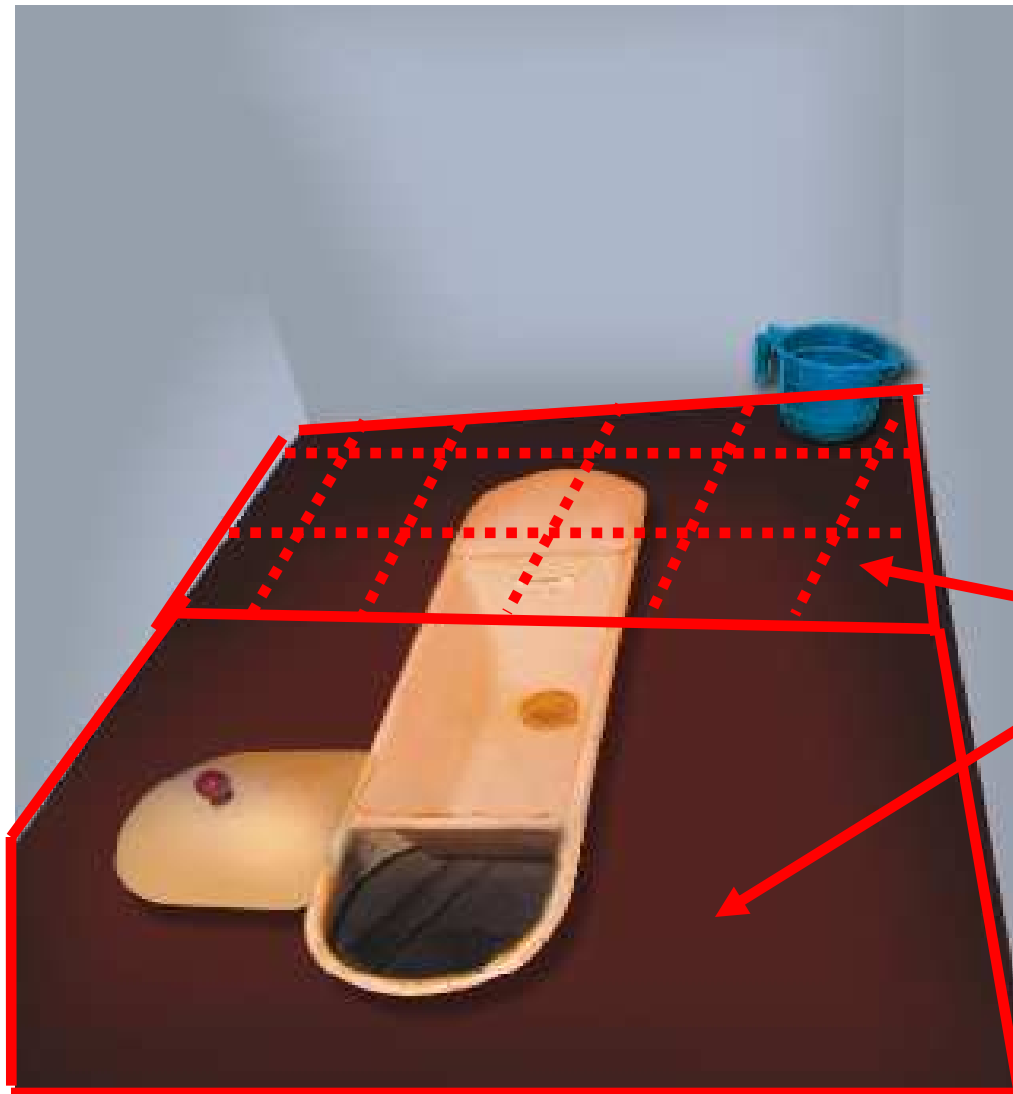








Pipeline for urine & wash water



**2 chambers used
in alternation
(between 6 to 8
months of use each)**

Pan level



ESTIMATION

[Cost estimation_May'12.xls](#)

THANK YOU !





QUESTIONS?